



# 7/8" MIN Series Size I "T" Connectors

3, 4, 5 & 6 Conductor MIN Series Size I "T" Connector, 16AWG



"T" Connectors | Male to Two Female | 300 Volt, 8 amps | IP67 Rating



A

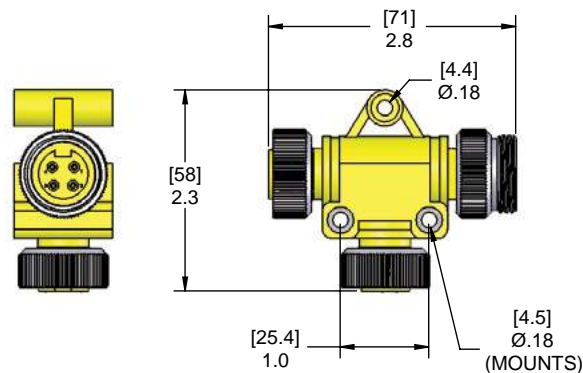
MIN Series Size I Cordsets

# of Poles	Male Faceview	Part Number	Wiring	Female Faceview
3	<p>7/8"-16UN2</p>	MIN-3MFF-T	1 to 1 to 1 2 to 2 to 2 3 to 3 to 3	<p>7/8"-16UN2</p>
4	<p>7/8"-16UN2</p>	MIN-4MFF-T	1 to 1 to 1 2 to 2 to 2 3 to 3 to 3 4 to 4 to 4	<p>7/8"-16UN2</p>
5	<p>7/8"-16UN2</p>	MIN-5MFF-T	1 to 1 to 1 2 to 2 to 2 3 to 3 to 3 4 to 4 to 4 5 to 5 to 5	<p>7/8"-16UN2</p>
6	<p>7/8"-16UN2</p>	MIN-6MFF-T	1 to 1 to 1 2 to 2 to 2 3 to 3 to 3 4 to 4 to 4 5 to 5 to 5 6 to 6 to 6	<p>7/8"-16UN2</p>

Standard coupling nut is nickel plated brass, for stainless steel coupling nut add a "SS" suffix. (e.g. MIN-4MFF-T becomes MIN-4MFF-T-SS)

**Specifications:**

- Body : Oil Resistant Yellow PVC
- Contacts : Copper Alloy with Gold Plating
- Coupling Nut : Nickel Plated Brass
- Temperature : -40 °C to +105 °C



ALL THREADS 7/8-16 UN